



Russell Hobbs

INSTRUCTIONS AND WARRANTY



MODEL NO. 18593

**RUSSELL HOBBS APOLLO 1.8L DIGITAL FILTER COFFEE
MAKER**

Congratulations on purchasing our Russell Hobbs Apollo 1.8L Digital Filter Coffee Maker. Each unit is manufactured to ensure safety and reliability. Before using this appliance for the first time, please read the instruction manual carefully and keep it for future reference.

FEATURES OF THE RUSSELL HOBBS APOLLO 1.8L DIGITAL FILTER COFFEE MAKER

- 1.8L/ 12 cup capacity
- Automatic Pause and Anti-drip system allows serving while the machine continues to brew
- Convenient 24-hour preset delay function
- Water tank with visible level indicator
- Removable filter holder for easy cleaning
- Hot plate to keep your coffee warm
- Glass carafe with flip top lid
- Includes removable permanent filter
- 1000W
- Suitable for ground coffee
- For domestic use only
- 1 year warranty

IMPORTANT SAFEGUARDS

When using any electrical appliance, basic safety precautions should always be followed including the following:

1. Please read the instructions carefully before using any appliance.
2. Always ensure that the voltage on the rating label corresponds to the mains voltage in your home.
3. Incorrect operation and improper use can damage the appliance and cause injury to the user.
4. This appliance is intended for household use only. Commercial use invalids the warranty and the supplier cannot be held responsible for injury or damage caused when using the appliance for any other purpose than that intended.
5. Avoid any contact with moving parts.

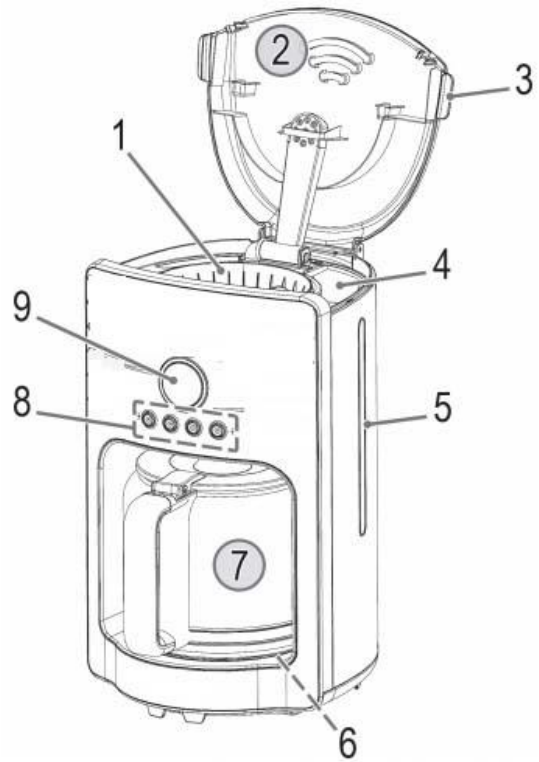
6. This appliance is not intended for use by persons (including children) with reduced physical, sensory or mental capabilities, or lack of experience and knowledge, unless they have been given supervision or instruction concerning use of the appliance by a person responsible for their safety.
7. Children should be supervised to ensure that they do not play with the appliance.
8. Check the power cord and plug regularly for any damage. If the cord or the plug is damaged, the manufacturer or a qualified person must replace it in order to avoid an electrical hazard.
9. Do not use the appliance if it has been dropped or damaged in any way. In case of damage, take the unit in for examination and/or repair by an authorised service agent
10. To reduce the risk of electric shock, do not immerse or expose the unit, plug or the power cord to water or any other liquid. Do not use it with wet hands.
11. Never immerse the unit in water or any other liquid for cleaning purposes.
12. Remove the plug from the socket by gripping the plug. Do not pull on the cord to disconnect the appliance from the mains. Always the unit to cool and unplug it when not in use, before cleaning or when adding or removing parts.
13. Insert and use only original parts.
14. The use of accessory attachments that are not recommended or supplied by the manufacturer may result in injuries, fire or electric shock.
15. A short cord is provided to reduce the hazards resulting from becoming entangled in or tripping over a longer cord.
16. Do not let the cord hang over the edge of a table or counter. Ensure that the cord is not in a position where it can be pulled on inadvertently.
17. Do not allow the cord to touch hot surfaces and do not place on or near a hot gas or electric burner or in a heated oven.
18. Keep the appliance and cord away from direct radiant heat from the sun, from damp, from sharp edges and other dangers.
19. Do not use the appliance on a gas or electric cooking top or over or near an open flame.
20. Use on a hard, flat level surface only, to avoid interruption of airflow underneath the appliance.
21. Use of an extension cord with this appliance is not recommended. However, if it is necessary to use an extension lead, ensure that the lead is suited to the power consumption of the appliance to avoid overheating of the extension cord, the appliance or plug point. Do not place the extension cord in a position where it can be pulled on by children or animals or tripped over.
22. This appliance is intended for brewing only ground coffee.

23. This appliance is not suitable for outdoor use. Do not use this appliance for anything other than its intended use.
24. This appliance is intended to be used in household and similar applications such as:
 - Staff kitchen areas in shops, offices and other working environments;
 - Farm houses;
 - By clients in hotels, motels and other residential type environments;
 - Bed and breakfast type environments.
25. Do not operate this appliance by means of an external timer or separate remote control system.
26. CAUTION: Never open the lid of the water reservoir during the brewing process.
27. Always be sure to properly close the water reservoir and ensure to fill with water at or above the minimum level marking before turning the appliance ON.
28. Do not remove the glass carafe while brewing coffee.
29. Caution should be taken when moving any appliance containing or in contact with hot liquids.
30. DO NOT carry any appliance by the power cord.
31. Do not leave this appliance unattended during use. Always unplug the unit when not in use or before cleaning.
32. Do not place the unit on a hot surface.
33. It is absolutely necessary to keep this appliance clean at all times as it comes into direct contact with food.
34. Do not touch any hot surfaces, use handles or knobs.
35. CAUTION: The hot plate and the glass carafe get very hot. Only grab the glass carafe by the handle.
36. Ensure that the machine is turned OFF after each use.
37. The manufacturer does not accept responsibility for any damage or injury caused by improper or incorrect use, or for repairs carried out by unauthorised personnel.
38. In case of technical problems, switch off the machine and do not attempt to repair it yourself. Return the appliance to an authorised service facility for examination, adjustment or repair. Always insist on the use of original spare parts. Failure to comply with the above mentioned precautions and instructions, could affect the safe operation of this machine.

NOTE: The keep-warm period is limited to maximum 40 (forty) minutes after which the appliance will turn off automatically. This feature has been incorporated for increased safety and lower energy consumption.

PARTS DIAGRAM

1. Filter holder with removable permanent filter
2. Water reservoir/ water tank lid
3. Tab to open the water reservoir/ water tank lid
4. Water reservoir/ water tank
5. Water gauge/ water level indicator
6. Warming hot plate
7. Glass carafe with lid
8. Function buttons: AUTO; HOUR; MIN; MODE
9. Digital display



BUTTON FUNCTIONS

AUTO

Press once: Turns the appliance ON and begins the brewing process (the button light will glow in a blue colour).

Press twice: The appliance will enter the preset delay mode. The brewing process will start at the desired programmed time (the button light will glow in a green colour).

Press 3 (three) times: Turns the appliance OFF (the button light will turn off).

MODE

Press once: To view the current time on the display.

Press twice: To adjust the start time of the brewing process OR to view the start time chosen.

HOUR

Use to adjust the amount of hours.

MIN

Use to adjust the amount of minutes.

OPERATING INSTRUCTIONS

BEFORE FIRST USE

Take the appliance out of the box and take off any protective wrappings. REMEMBER: DO NOT LEAVE PROTECTIVE PACKAGING LYING AROUND, AS IT COULD BE DANGEROUS AROUND INFANTS, CHILDREN, IMPAIRED PERSONS OR THOSE PERSONS WITH A DISABILITY.

Check the contents of the appliance for completeness. In the event that the packaging contents are incomplete or if damage to the appliance is noticeable, do not operate the appliance. Return it to the supplier (retailer) immediately.

Before first use, position the coffee maker on a flat and stable surface. Ensure that it is positioned so that it cannot tip over. We recommend that you operate the coffee maker twice with only water and without coffee grounds to remove any possible manufacturing dust/ residues.

SETTING THE TIME

The appliance uses a 24-hour timer. For example, should you wish to set time on the clock to "12:00":

1. Press the MODE button once. The word "CLOCK" will appear above the time on the digital display.
2. Press the HOUR button to adjust the amount of required hours.
3. Press the MIN button to adjust the amount of required minutes.
4. If no other buttons are pressed after 15 seconds have passed, the appliance will accept the inputs as correct and save the time. The word "CLOCK" will disappear from the digital display.

PREPARING THE COFFEE MACHINE

1. Ensure that the machine is OFF and unplugged from the main power supply.
2. Open the lid of the water reservoir/ water tank.
3. Fill the water reservoir/ water tank with cold water according to the desired cups of coffee required. The water level is displayed on the water gauge/ indicator. NOTE: You can use the glass carafe as a 'jug' to fill the water reservoir/ water tank. CAUTION: Do not overfill the water reservoir/ water tank! Do not fill it above the MAX level mark.
4. Fill the removable permanent filter with ground coffee powder. Usually one cup of coffee needs a level spoon of ground coffee, but it may be adjusted according to your specific requirements. Gently shake the removable permanent filter to distribute the coffee evenly.
5. Now insert the filter holder and removable permanent filter back into the machine. Ensure that they are properly attached and seated.
6. Close the water reservoir/ water tank lid.
7. Place the glass carafe onto the warming hot plate.

CAUTION: Drip-Stop/ Anti-Drip

Your appliance includes a Drip-Stop/ Anti-Drip feature. The drip-stop closes when removing the glass carafe from the warming hot plate. This feature prevents the coffee from dripping onto the warming hot plate if there is still water in the filter.

- Ensure that the lid is attached to the glass carafe. It opens the drip-stop.
- If there is still water in the water reservoir/ water tank, place the glass carafe back onto the warming hot plate as soon as possible to ensure that the filter does not overflow. We recommend that you do not have the glass carafe removed from the warming hot plate for longer than 30 (thirty) seconds.

SWITCHING ON THE COFFEE MACHINE DIRECTLY

8. Ensure to follow the instructions which appear in the section: "Preparing the Coffee Machine".
9. Now plug the machine into the mains power supply.
10. Press the AUTO button once. The appliance is now ON and operational. The button light will glow a blue colour.

NOTE:

- Do not open the water reservoir/ water tank lid while the coffee maker is brewing. The flow back of hot water will damage the appliance.
- For safety purposes, keep the lid of the glass carafe closed when pouring; this will also help with keeping the coffee warm for longer.
- The unit switches off automatically 40 (forty) minutes after brewing. The AUTO button light will turn off.
- If you would like to turn the appliance OFF yourself before auto shutoff, press the AUTO button twice. The AUTO button light will turn off.
- Unplug the power cord from the electrical outlet when the appliance is not in use, left unattended or when the glass carafe is empty.

PRESET DELAY FUNCTION

The preset delay function allows you to postpone automatic coffee brewing. For example: If you do not wish to brew coffee in the machine immediately (and the time is for example: 17:15), however you would like the coffee maker to automatically start brewing 3 (three) hours later at 20:15 in the evening.

1. Ensure to follow the instructions which appear in the section: “Preparing the Coffee Machine”.
2. Press the MODE button twice. The word “TIMER” will appear on the digital display.
3. Press the HOUR button to adjust the amount of required hours.
4. Press the MIN button to adjust the amount of required minutes.
5. If no other buttons are pressed after 15 seconds have passed, the appliance will accept the inputs as correct and save the desired preset delay. The word “TIMER” will disappear from the digital display.
6. Press the AUTO button twice to start the Preset Delay function. The button light will glow a green colour.

NOTE:

- The maximum delay which can be set is 24 (twenty-four) hours.
- The appliance switches on automatically and begins brewing at the preset time. The button light will glow in a blue colour.
- Press the AUTO button once to deactivate the TIMER (preset delay) function.

- If you would like to start the brewing process sooner, press the AUTO button twice. The button light will glow in a blue colour.

THE COFFEE IS READY

NOTE:

- The brewing process lasts approximately 10 (ten) minutes.
- When no more coffee is flowing through the filter you can remove the glass carafe.
- Turn the device OFF.
- Would you like to keep the remaining coffee warm? Leave the appliance turned ON until the end of the keep-warm period. If you wish to keep the coffee warm even after the keep-warm period has finished then you can pour the remaining coffee into a thermal flask.

NOTE:

The filter holder can be removed from the machine by its handle. This makes it easier to dispose of the old coffee grounds.

WARNING:

If you want to make another pot of coffee immediately, switch off the appliance first. Let it cool down with the water reservoir/ water tank lid open in order to avoid hot water splashing when refilling it with water again.

DESCALING

Mineral/ limescale deposits building up in the coffee maker will have an adverse effect in the operation of the appliance. Your appliance must be descaled when you begin to notice an increase in the time required to brew or when there is excessive steaming. You may also notice a build-up of white deposits various parts of the coffee maker. The frequency of cleaning depends upon the hardness of the water used. The following table will provide you with a guideline for suggested cleaning intervals.

SUGGESTED CLEANING INTERVALS

Type of Water	Cleaning Frequency
Soft Water (Filtered Water)	Every 80 Brew Cycles
Hard Water (Tap Water)	Every 40 Brew Cycles

- Use only commercially available appliance descaler.
- Follow the recommended instructions for use.

WARNING:

- Afterward descaling, we recommend that you run the machine with plain cold water (excluding ground coffee) two or three times in order to rinse out residues of the descaling agent.
- Do not use any coffee powder during the descaling process.
- Do not use this water for consumption.

CLEANING AND MAINTENANCE

- This appliance is for household use only and is not user-serviceable.
- Do not open or change any parts by yourself. Please refer to a qualified electrical service department or return to the supplier if servicing is necessary.
- Always remember to unplug the unit from the electrical outlet when not in use and before cleaning. Ensure that the machine is turned OFF and wait until the appliance has cooled down.
- It is much easier to clean the accessories directly after they have been used. Wash them in warm, soapy water, rinse and dry well.
- Do not use a wire brush or any abrasive items to clean your appliance.
- Do not use bleach, any acidic or abrasive detergents/ solvents to clean your appliance as it can be damaging to the finish.
- The exterior of the appliance should be cleaned as necessary with a slightly damp cloth – without any additives. Do not let water enter the appliance or the stand.
- Remove spilled coffee grounds with a paper towel from the inner casing. Afterwards wipe with a damp cloth.

- The glass carafe, the filter holder and removable permanent filter should be cleaned by rinsing in warm water. Use a soft brush if necessary.
- Do not immerse the appliance in water or any other liquid, or hold it under a running tap to clean.
- To remove stubborn spots/marks, wipe the surfaces with a cloth slightly dampened in soapy water or mild non-abrasive cleaner. Rinse and dry a clean, dry, soft cloth.

TROUBLESHOOTING

Problem	Possible cause	Solution
The appliance does not work.	The appliance may not be connected to the mains power.	Check the wall outlet with a different appliance.
		Insert the plug properly into the wall outlet.
		Check the fuse.
	The appliance may be defective	Contact our service or an authorised repair center.
Filter blockage: coffee grounds spill over the edge of the filter.	The drip-stop may be closed: the glass carafe is not on the warming hot plate or the lid is not on the glass carafe correctly.	<ol style="list-style-type: none"> 1. Switch the appliance OFF. Disconnect it from the mains power supply. 2. Put the glass carafe with lid onto the warming hot plate so that the filter is emptied. 3. Clean the appliance as described.
	There may be too much ground coffee powder in the filter.	
Coffee grounds in the coffee.	There may be too much ground coffee powder in the filter.	Use less ground coffee powder.
The brewing process takes too long.	There may be limescale deposits in the appliance.	Descale the appliance as described.

The appliance turns OFF automatically.	The keep-warm period is limited to maximum 40 (forty) minutes after which the appliance will turn off automatically. This feature has been incorporated for increased safety and lower energy consumption.
--	--

STORING THE APPLIANCE

- Ensure that the unit is switched OFF. Unplug the coffee maker from the power outlet.
- Clean all the parts as instructed above. Ensure that all parts are dry before storing.
- Store the appliance in a clean, dry place.
- Never store the appliance while it is still wet or dirty.
- Never wrap the power cord around the appliance.

SERVICING THE APPLIANCE

There are no user serviceable parts in this appliance. If the unit is not operating correctly, please check the following:

- You have followed the instructions correctly
- That the unit has been wired correctly and that the wall socket is switched on.
- That the mains power supply is ON.
- That the plug is firmly in the mains socket.

If the appliance still does not work after checking the above:

- Consult the retailer for possible repair or replacement. If the retailer fails to resolve the problem and you need to return the appliance, make sure that:

- The unit is packed carefully back into its original packaging.
- Proof of purchase is attached.
- A reason is provided for why it is being returned.

If the supply cord is damaged, it must be replaced by the manufacturer or an authorised service agent, in order to avoid any hazard. If service becomes necessary within the warranty period, the appliance

should be returned to an approved Home of Living Brands (Pty) Limited service centre. Servicing outside the warranty period is still available, but will, however, be chargeable.

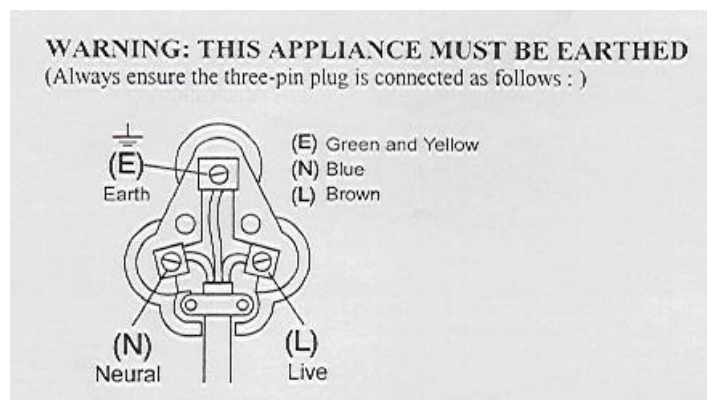
CHANGING THE PLUG

Should the need arise to change the fitted plug, follow the instructions below.

This unit is designed to operate on the stated current only. Connecting to other power sources may damage the appliance. Connect a three-pin plug as follows:

The wires in this mains lead are coloured in accordance with the following code:

Green/Yellow	= Earth
Blue	= Neutral
Brown	= Live



IN THE EVENT OF A CLAIM UNDER WARRANTY THIS RECEIPT MUST BE PRODUCED.

W A R R A N T Y

1. Home of Living Brands (Pty) Limited warrants to the original purchaser of this product (“the customer”) that this product will be free of defects in quality and workmanship which under normal personal, family or household use and purpose may manifest within a period of 1 (one) year from the date of purchase (“warranty period”).
2. Where the customer has purchased a product and it breaks, is defective or does not work properly for the intended purpose, the customer must notify the supplier from whom the customer bought the product (“the supplier”) thereof within the warranty period. Any claim in terms of this warranty must be supported by a proof of purchase. If proof of purchase is not available, then repair, and/or service charges may be payable by the customer to the supplier.
3. The faulty product must be taken to the supplier's service centre to exercise the warranty.
4. The supplier will refund, repair or exchange the product in terms of this warranty subject to legislative requirements. This warranty shall be valid only where the customer has not broken the product himself, or used the product for something that it is not supposed to be used for. The warranty does not include and will not be construed to cover products damaged as a result of disaster, misuse, tamper, abuse or any unauthorised modification or repair of the product.
5. This warranty will extend only to the product provided at the date of the purchase and not to any expendables attached or installed by the customer.
6. If the customer requests that the supplier repairs the product and the product breaks or fails to work properly within 3 (three) months of the repair and not as a result of misuse, tampering or modification by or on behalf of the customer, then the supplier may replace the product or pay a refund to the customer.
7. The customer may be responsible for certain costs where products returned are not in the original packaging, or if the packaging is damaged. This will be deducted from any refund paid to the customer.

HOME OF LIVING BRANDS (PTY) LTD

www.homeoflivingbrands.com

011 490-9600 (Jhb)

031 303-1163 (Dbn)

021 552-5161 (CT)

www.russellhobbs.co.za

www.facebook.com/RussellhobbsSA