



Russell Hobbs

INSTRUCTIONS AND WARRANTY



MODEL NO. RHRETROM BLACK

RUSSELL HOBBS 20L RETRO MANUAL MICROWAVE OVEN

Congratulations on purchasing our Russell Hobbs 20L Retro Manual Microwave Oven. Each unit is manufactured to ensure safety and reliability. Before using this appliance for the first time, please read the instruction manual carefully and keep it for future reference.

FEATURES OF THE RUSSELL HOBBS 20L RETRO MANUAL MICROWAVE OVEN

- 20L Capacity
- Elegant retro design
- Power output: 700W
- 245mm glass turntable diameter
- 5 power levels
- Auto reminder
- Child lock function
- 12 Auto cooking menus
- Multi-stage cooking
- Delayed timer
- 60 minute cooking timer with end signal
- Defrost function
- User friendly digital control panel with rotary timer
- Pull handle
- White interior for easy cleaning
- For domestic use only
- 2 year warranty

IMPORTANT SAFEGUARDS

When using any electrical appliance, basic safety precautions should always be followed including the following:

1. Please read the instructions carefully before using any appliance.
2. Always ensure that the voltage on the rating label corresponds to the mains voltage in your home.
3. Incorrect operation and improper use can damage the appliance and cause injury to the user.
4. The appliance is intended for household use only. Commercial use invalids the warranty and the supplier can not be held responsible for injury or damage caused when using the appliance for any other purpose than that intended.
5. Avoid any contact with moving parts.
6. Close supervision is required when any appliance is used near or by children or invalids.
7. Check the power cord and plug regularly for any damage. If the cord or the plug is damaged, it must be replaced by the manufacturer or a qualified person in order to avoid an electrical hazard.
8. Do not use the appliance if it has been dropped or damaged in any way. In case of damage, take the unit in for examination and/or repair by an authorised service agent

9. Do not operate the oven when empty.
 10. Do not operate this appliance if it has a damaged cord or plug, if it is not working properly or if it has been damaged or dropped. If the supply cord is damaged, it must be replaced by the manufacturer or its service agent or a similarly qualified person in order to avoid a hazard.
 11. This appliance is not intended for use by persons (including children) with reduced physical, sensory or mental capabilities, or lack of experience and knowledge, unless they have been given supervision or instruction concerning use of the appliance by a person responsible for their safety.
 12. **WARNING:** Only allow children to use the oven without supervision when adequate instructions have been given so that the child is able to use the oven in a safe way and understands the hazards of improper use.
 13. Do not operate the microwave unit without any food contents inside the cavity.
 14. To reduce the risk of fire in the oven cavity:
 - When heating food in a plastic or paper container, check the oven frequently in terms of the possibility of ignition.
 - Remove wire twist-ties from paper or plastic bags before placing the bag in oven.
 - If smoke is observed, switch off or unplug the appliance and keep the door closed in order to stifle any flames.
 - Do not use the cavity for storage purposes. Do not leave paper products, cooking utensils or food in the cavity when not in use.
- WARNING:** Liquid or other food must not be heated in sealed containers since they are able to explode.
15. Microwave heating of beverages can result in delayed eruptive boiling, therefore care has to be taken when handling the container.
 16. Do not fry food in the oven. Hot oil can damage oven parts and utensils and even result in burns.
 17. Eggs in their shell and whole hard-boiled eggs should not be heated in microwave ovens since they may explode even after microwave heating has ended.
 18. Pierce foods with heavy skins such as potatoes, whole squashes, apples and chestnuts before cooking.
 19. The contents of feeding bottles and baby jars should be stirred or shaken and the temperature should be checked before serving in order to avoid burns or scalding.
 20. Cooking utensils may become hot because of heat transferred from the heated food. Potholders/ oven gloves may be needed to handle the utensil.
 21. Utensils should be checked to ensure that they are suitable for use in microwave oven.
 22. **WARNING:** It is hazardous for anyone other than a trained person to carry out any service or repair operation which involves the removal of any cover which gives protection against exposure to microwave energy.
 23. This product is Group 2 Class B ISM equipment. The definition of Group 2 which contains all ISM (Industrial, Scientific and Medical) equipment in which radio-frequency energy is intentionally generated and/or used in the form of electromagnetic radiation for the treatment of material, and spark erosion equipment. For Class B equipment is equipment suitable for use in domestic establishments and in establishments directly connected to a low voltage power supply network which supplies buildings used

for domestic purpose.

24. Never immerse the unit in water or any other liquid for cleaning purposes.
25. Remove the plug from the socket by gripping the plug. Do not pull on the cord to disconnect the appliance from the mains. Always unplug the unit when not in use, before cleaning or when adding or removing parts.
26. The use of accessory attachments that are not recommended or supplied by the manufacturer may result in injuries, fire or electric shock.
27. A short cord is provided to reduce the hazards resulting from becoming entangled in or tripping over a longer cord.
28. Do not let the cord hang over the edge of a table or counter. Ensure that the cord is not in a position where it can be pulled on inadvertently.
29. Do not allow the cord to touch hot surfaces and do not place on or near a hot gas or electric burner or in a heated oven.
30. Do not use the appliance on a gas or electric cooking top or over or near an open flame.
31. Use of an extension cord with this appliance is not recommended. However, if it is necessary to use an extension lead, ensure that the lead is suited to the power consumption of the appliance to avoid overheating of the extension cord, appliance or plug point. Do not place the extension cord in a position where it can be pulled on by children or animals or tripped over.
32. This appliance is not suitable for outdoor use. Do not use this appliance for anything other than its intended use.
33. DO NOT carry the appliance by the power cord.
34. Do not leave this appliance unattended during use. Always unplug the unit when not in use or before cleaning.
35. Always operate the appliance on a smooth, even, stable surface. Do not place the unit on a hot surface.
36. Ensure that the switch is in the "Off" or "0" position after each use.
37. The manufacturer does not accept responsibility for any damage or injury caused by improper or incorrect use, or for repairs carried out by unauthorised personnel.
38. In case of technical problems, switch off the machine and do not attempt to repair it yourself. Return the appliance to an authorised service facility for examination, adjustment or repair. Always insist on the use of original spare parts. Failure to comply with the above mentioned pre-cautions and instructions, could affect the safe operation of this machine.
39. The microwave oven should not be placed in a cabinet unless it has been tested in a cabinet.
40. Appliances are not intended to be operated by means of an external timer or separate remote-control system.
41. The door or the outer surface may get hot when the appliance is in operation.
42. The rear surface of the appliance should be placed against a wall.

SPECIFICATIONS

Model	RHRETROM CREAM
Rated Voltage	230V~ 50Hz
Rated Input Power(Microwave)	1150W
Rated Output Power(Microwave)	700 W
Oven Capacity	20 L
Turntable Diameter	245 mm
External Dimensions	512x396x308mm
Net Weight	Approx. 10.0 kg

PRECAUTIONS TO AVOID POSSIBLE EXPOSURE TO EXCESSIVE MICROWAVE ENERGY

- Do not attempt to operate this oven with the door open since open door operation can result in harmful exposure to microwave energy. It is important not to break or tamper with the safety interlocks.
- Do not place any object between the oven front face and the door or allow soil or cleaner residue to accumulate on sealing surfaces.
- Do not operate the oven if it is damaged. It is particularly important that the oven door close properly and that there is no damage to the
 - a. Door (bent),
 - b. Hinges and latches (broken or loosened),
 - c. Door seals and sealing surfaces.
- The oven should not be adjusted or repaired by anyone except properly qualified service personnel.
- If the microwave appliance is not maintained in a good state of cleanliness, its surface could become degraded, its lifespan affected and could result in a possibly hazardous situation.

INSTALLATION

1. Make sure that all the packing materials are removed from the inside of the door.
2. **WARNING:** Check the oven for any damage, such as misaligned or bent door, damaged door seals and

sealing surface, broken or loose door hinges and latches and dents inside the cavity or on the door. If there is any damage, do not operate the oven and contact qualified service personnel.

3. This microwave oven must be placed on a flat, stable surface to hold its weight and the heaviest food likely to be cooked in the oven.
4. Do not place the oven where heat, moisture, or high humidity are generated, or near combustible materials.
5. For correct operation, the oven must have sufficient airflow. Allow 20cm of space above the oven, 20cm at back and 20cm at both sides. Do not cover or block any openings on the appliance. Do not remove feet.
6. Do not operate the oven without a glass tray, roller support, and shaft in their proper positions.
7. Make sure that the power supply cord is undamaged and does not run under the oven or over any hot or sharp surface.
8. The socket must be readily accessible so that it can be easily unplugged in an emergency.
9. Blocking the intake and/or outlet openings can damage the oven.
10. Remove any protective film found on the microwave cabinet surface. Do not remove the light brown Mica cover that is attached to the oven cavity to protect the magnetron.
11. Never place the glass tray upside down. The glass tray should never be restricted.
12. Both glass tray and turntable ring assembly must always be used during cooking.
13. All food and containers are always to be placed on the glass tray for cooking.
14. If the glass tray or turntable ring assembly cracks or breaks, contact your nearest authorized service center.

RADIO INTERFERENCE

Operation of the microwave oven can cause interference to your radio, TV, or similar equipment. When there is interference, it may be reduced or eliminated by taking the following measures:

- Clean the door and sealing surface of the oven.
- Reposition the receiving antenna of the radio or television.
- Relocate the microwave oven with respect to the receiver.
- Plug the microwave oven into a different outlet so that microwave oven and receiver are on different branch circuits.

MICROWAVE COOKING PRINCIPLES

- Arrange food carefully. Place thickest areas towards outside of dish.
- Watch cooking time. Cook for the shortest amount of time indicated and add more as needed. Food severely overcooked can smoke or ignite.
- Cover foods while cooking. Covers prevent spattering and help foods to cook evenly.
- Turn foods over once during microwave cooking to speed cooking of such foods as chicken and hamburgers. Large items like roasts must be turned over at least once.

- Rearrange foods such as meatballs halfway through cooking both from top to bottom and from the center of the dish to the outside.

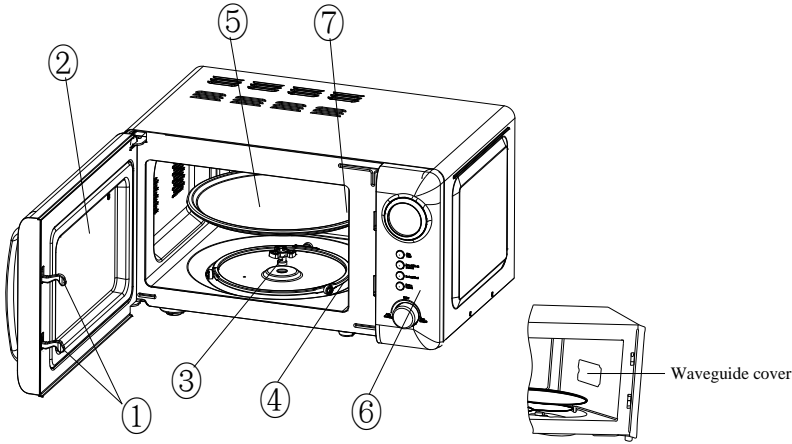
UTENSILS GUIDE

- The ideal material for a microwave utensil is material which is transparent. This allows energy to pass through the container and heat the food.
- A microwave cannot penetrate metal, so metal utensils or dishes with metallic trim should not be used.
- Do not use recycled paper products when microwave cooking, as they may contain small metal fragments which may cause sparks and/or fires.
- Round /oval dishes rather than square/oblong ones are recommend, as food in corners tends to overcook.
- Narrow strips of aluminium foil may be used to prevent overcooking of exposed areas. But be careful don't use too much and keep a distance of 1 inch.
- The list below is a general guide to help you select the correct utensils:

COOKWARE	MICROWAVE
Heat-Resistant Glass	Yes
Non Heat-Resistant Glass	No
Heat-Resistant Ceramics	Yes
Microwave-Safe Plastic Dish	Yes
Paper Kitchen Towels	Yes
Metal Tray	No
Metal Rack	No
Aluminium Foil & Foil Containers	No
Parchment Paper	Yes
Plastic Wrap	Yes
Wax Paper	Yes
Containers containing metal parts	No
Metal Twist-ties	No
Paper Bags	No
Plastic Foam	No

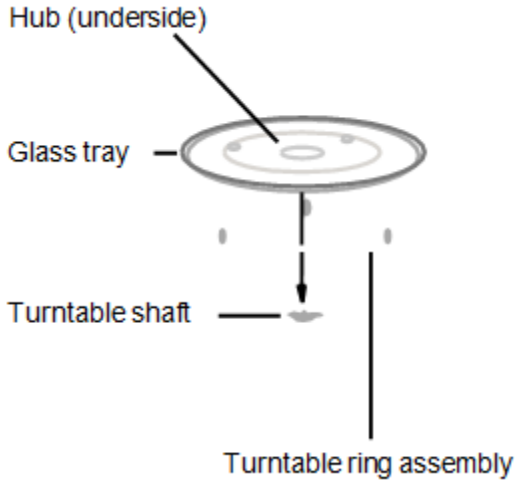
Wood	No
------	----

PARTS DIAGRAM

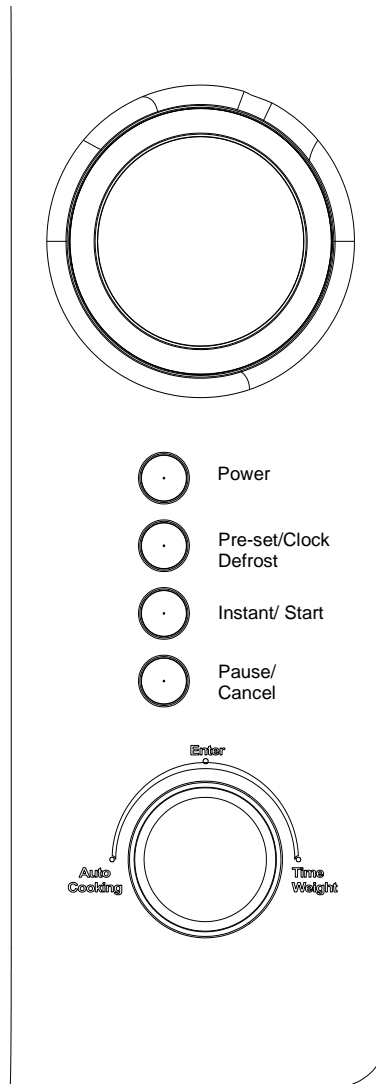


- 1. Door lock
- 2. Viewing window
- 3. Rotating axis
- 4. Rotating ring
- 5. Turntable
- 6. Control panel
- 7. Waveguide cover

TURNTABLE INSTALLATION



1. Never place the glass tray upside down. The glass tray should not be restricted.
2. Both glass tray and turntable ring should always be used during cooking.
3. All food and containers of food should always be placed on the glass tray for cooking.
4. If glass tray or turntable ring assembly cracks or breaks, contact your nearest authorized service centre



OPERATING INSTRUCTIONS

1. BEFORE COOKING

The LED flashes 3 times when plugged into a power supply. Then it flashes “:”, prompting you to input the cooking menu and time.

2. AUTO COOKING TIME/WEIGHT KNOB

You can increase or decrease cooking time, weight or choose from the auto cooking menu during

operation by turning **Auto Cooking/ Time. Weight** knob.

3. PAUSE/CANCEL

At the initial or input stage: press once to cancel input programs and resume initial stage.

During cooking: press once to stop oven operation, press twice to cancel cooking programs.

4. AUTO REMINDER

When your preset cooking procedure have finished, the LED display will show **End** and three beeps sound will be heard to prompt you to take out food. If you do not press **Pause/Cancel** button once or open the door, the beep will be sounded at an interval of 3 minutes.

5. CLOCK SETTING

Preset /Clock. Defrost button make it available for you to input current or preset time when “:” flashes onto LED display after plugged in, or try to skip it over to continue if unnecessary.

6. MICROWAVE COOKING

This function is used for cooking and heating food. Press Micro Power button, LED will cycle to show 100P — 80P — 60P — 40P — 20P.

High power	100% microwave power. Applicable for quick and thorough cooking
Medium High power	80% microwave power. Applicable for medium express cooking
Medium power	60% microwave power. Applicable for steaming food
Medium Low power	40% microwave power. Applicable for defrosting food
Low power	20% microwave power. Applicable for keeping warm

PLEASE NOTE: When removing food from the oven, please ensure that the oven power is switched off by turning the timer switch to 0 (zero). Failure to do so, and operating the microwave oven without food in it, can result in overheating and damage to the magnetron.

7. DEFROST

This function is used to defrost food; Press the **Preset/Clock.Defrost** button and the LED display will cycle to show d.1-d.2-d.3.

d.1	For defrosting meat, the weight range from 0.1 to 2.0 kg.
d.2	For defrosting poultry, the weight range from 0.2 to 3.0kg.
d.3	For defrosting seafood, the weight range from 0.1 to 0.9kg.

8. CHILD LOCK FUNCTION

Use this feature to lock the control panel when you are cleaning or so that children cannot use the oven unsupervised. . All the buttons are rendered inoperable in this mode.

Set child lock: Hold **Pause/Cancel** button about 3 seconds.

Cancel child lock: Hold **Pause/Cancel** button about 3 seconds.

9. AUTO COOKING

The oven has default cooking menu for simple operation. When the LED flashes colon, turn the knob and LED will cycle to show A-01, A-02 A-12.After setting auto cooking menu, pressing **Enter** button is available to set the cooking weight.

Choose the appropriate menu according to the food type and weight and strictly observe the directions in below table, otherwise the cooking effect will be largely influenced.

Display	Kind	Weight
A-01	Popcorn	All together there are two choices (3.0Oz and 3.5Oz)
A-02	Potato	All together there are two choices (0.45Kg and 0.65Kg)
A-03	Vegetable	All together there are five choices (0.1 0.2-----0.5Kg)
A-04	Meat	All together there are six choices (0.2 0.3-----0.7Kg)
A-05	Fish	All together there are six choices (0.2 0.3-----0.7Kg)
A-06	Chicken	All together there are six choices (0.2 0.3-----0.7Kg)
A-07	Reheat	All together there are five choices (0.2 0.4-----1.0Kg)
A-08	Beverage	All together there are two choices (250MI and 500MI)
A-09	Rice	All together there are five choices (0.1 0.2-----0.5Kg)

A-10	Pasta	All together there are five choices (0.1 0.2-----0.5Kg)
A-11	Bread	All together there are five choices (0.1 0.2-----0.5Kg)
A-12	Pizza	All together there are two choices (1 share and 2 share)

10. AUTOMATIC STARTING (DELAYED FUNCTION)

If you do not want the menu to be started immediately, you can preset the cooking menu and time and the preset menu will be automatically start at your set time. The setting will consist of 2 steps:

1. Setting the current clock;
2. Setting the cooking menu and time.

Example: It is 12:30 on the clock, and you'd like the microwave oven to automatically start cooking with 100P microwave power for 9 minutes and 30 seconds at 14:20:		
	Steps	Display
1	After power-up, the “:”flashes	:
1.1	Hold Preset/Clock.Defrost button three seconds	0:00
1.2	Set hours by turning Auto Cooking/Time. Weight knob	12:00
1.3	Press Preset/Clock.Defrost button again to confirm hours	12:00
1.4	Set minutes by turning Auto Cooking/Time. Weight knob	12:30
1.5	Press Preset/Clock.Defrost button once or waiting for 5 seconds, and the numbers will go steady.	12:30
2	Set the cooking menu and time	
2.1	Select cooking power by pressing Micro Power button	100P
2.2	Turn Auto Cooking/Time. Weight knob to set cooking time	9:30

2.3	Press and hold Preset/Clock.Defrost button for 3 seconds to return to current Clock.	
3	Set the time you expect to start. Repeat the steps of 1.2, 1.3, 1.4	
4	Press Preset/Clock.Defrost button to confirm the delayed menu. Now the program has been activated. And the menu will be started at 14:20.	
5	You may check the preset starting time by pressing Preset/Clock.Defrost button.	

11. MULTI-SEQUENCE COOKING

To obtain best cooking result, some recipes call for different cook mode and time. You may program your personalized menu as follow:

Example: You want cook food with 100P microwave for 3 minutes then 20P for 9 minutes. This is 2 sequence setting.		
	Steps	Display
1	100P microwave for 3min	
1.1	Press Micro Power button to select power level.	100P
1.2	Turn Auto Cooking/Time. Weight knob to set cooking time.	3:00
2	20P for 9min	
2.1	Press Micro Power button to select power level	20P
2.2	Turn Auto Cooking/Time. Weight knob to set cooking time.	9:00
3	Start cooking by pressing Instant/Start button	

PLEASE NOTE:

- a. When microwave 100 power cooking is finished, microwave oven will begin next operation automatically.
- b. Max 4 sequences can be set per time, repeat the steps.

TROUBLE SHOOTING

Normal	
Dim oven light	During cooking with low microwave power, the oven light may become dim. It is normal.
Steam accumulating on door/ hot air out of vents	Foods may generate steam during the cooking process. Most steam will escape via the vents however some may accumulate on the oven door. This is normal.

Trouble	Possible Cause	Remedy
Microwave does not start up	(1) Power cord not plugged in correctly	Unplug. Then plug in again after 10 seconds
	(2) Fuse blowing or circuit breaker works	Replace the fuse or reset the circuit breaker (repaired by Tedelex Trading Service Department)
	(3) Trouble with the power outlet	Test the power outlet with other electrical appliances
Microwave does not heat	(4) The door is not closed properly	Close the door well
Glass turntable makes noise when microwave is in operation	(5) Dirty roller and cavity bottom	Refer to "Cleaning and Maintenance" section of the instruction manual to clean dirty or soiled parts.



According to the Waste of Electrical and Electronic Equipment (WEEE) directive, WEEE should be separately collected and treated. If at any time you need to dispose of this product, please do NOT dispose of this product with household waste. Please send this product to WEEE collecting points where available.

CLEANING AND MAINTENANCE

- This appliance is for household use only and is not user-serviceable.
- Do not open or change any parts by yourself. Please refer to a qualified electrical service department or return to the supplier if servicing is necessary.
- Turn off the oven and remove the power plug from the wall socket before cleaning.
- Keep the inside of the oven clean. When food splatters or spilled liquids adhere to oven walls, wipe with a damp cloth. Mild detergent may be used if the oven gets very dirty. Avoid the use of spray and other harsh cleaners as they may stain, streak or dull the door surface.
- The outside surfaces should be cleaned with a damp cloth. To prevent damage to the operating parts inside the oven, water should not be allowed to seep into the ventilation openings.
- Wipe the door and window on both sides, the door seals and adjacent parts frequently with a damp cloth to remove any spills or splatters. Do not use abrasive cleaner.
- Do not allow the control panel to become wet. Clean with a soft, damp cloth. When cleaning the control panel, leave oven door open to prevent oven from accidentally turning on.
- If steam accumulates inside or around the outside of the oven door, wipe with a soft cloth. This may occur when the microwave oven is operated under high humidity condition. And it is normal.
- It is occasionally necessary to remove the glass tray for cleaning. Wash the tray in warm sudsy water or in a dishwasher.
- The roller ring and oven floor should be cleaned regularly to avoid excessive noise. Simply wipe the bottom surface of the oven with mild detergent. The roller ring may be washed in mild sudsy water or dishwasher. When removing the roller ring from cavity floor for cleaning, be sure to replace in the proper position.
- Remove odors from your oven by combining a cup of water with the juice and rind of one lemon in a deep microwaveable bowl, microwave for 5 minutes. Wipe thoroughly and dry with a soft cloth.
- When it becomes necessary to replace the oven light, please consult a dealer to have it replaced.
- The oven should be cleaned regularly and any food deposits removed. Failure to maintain the oven in a clean condition could lead to deterioration of the surface that could adversely affect the life of the appliance and possibly result in a hazardous situation.
- Please do not dispose this appliance into the domestic rubbish bin; it should be disposed to the particular disposal center provided by the municipalities.
- Do not use bleach or other abrasive substance or solvents to clean your appliance as it can be damaging to the finish.

STORING THE APPLIANCE

- Unplug the unit from the wall outlet and clean all the parts as instructed above. Ensure that all parts are dry before storing.
- Store the appliance in its box or in a clean, dry place.
- Never store the appliance while it is still wet or dirty.
- Never wrap the power cord around the appliance.

SERVICING THE APPLIANCE

There are no user serviceable parts in this appliance. If the unit is not operating correctly, please check the following:

- You have followed the instructions correctly
- That the unit has been wired correctly and that the wall socket is switched on.
- That the mains power supply is ON.
- That the plug is firmly in the mains socket.

If the appliance still does not work after checking the above:

- Consult the retailer for possible repair or replacement. If the retailer fails to resolve the problem and you need to return the appliance, make sure that:

- The unit is packed carefully back into its original packaging.
- Proof of purchase is attached.
- A reason is provided for why it is being returned.

If the supply cord is damaged, it must be replaced by the manufacturer or an authorised service agent, in order to avoid any hazard. If service becomes necessary within the warranty period, the appliance should be returned to an approved Amalgamated Appliance (Pty) Ltd service centre. Servicing outside the warranty period is still available, but will, however, be chargeable.

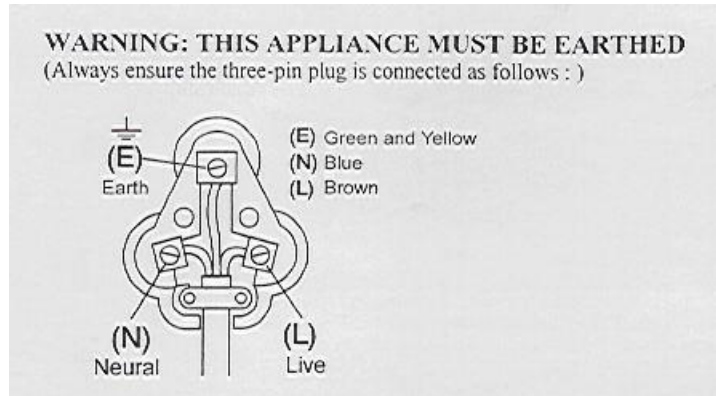
CHANGING THE PLUG

Should the need arise to change the fitted plug, follow the instructions below.

This unit is designed to operate on 230V~240V current only. Connecting to other power sources may damage the appliance. Connect a three-pin plug as follows:

The wires in this mains lead are coloured in accordance with the following code:

Green/Yellow = Earth
Blue = Neutral
Brown = Live



PLEASE AFFIX YOUR PROOF OF PURCHASE/RECEIPT HERE
IN THE EVENT OF A CLAIM UNDER WARRANTY THIS RECEIPT MUST BE PRODUCED.

2 YEAR WARRANTY

*1 year retail 1 year
extended warranty upon
registration*
visit*

www.russellhobbs.co.za

W A R R A N T Y AND EXTENDED WARRANTY

1. Home of Living Brands (Pty) Limited ("Home of Living Brands") warrants to the original purchaser of this product ("the customer") that this product will be free of defects in quality and workmanship which under normal personal, family or household use and purpose may manifest within a period of 1 (one) year from the date of purchase ("warranty period").
2. Home of Living Brands shall extend the warranty period for a further period of 1(one) year ("extended warranty period*"), on condition that the purchaser registers the product on the website, within 12 months from the date of purchase of the product. The website address for registration is as follows: <http://russellhobbs.co.za/info-pages/warranty-info.aspx>. The extended warranty period only applies to products purchased on or after 1 October 2017.
3. Where the customer has purchased a product and it breaks, is defective or does not work properly for the intended purpose, the customer must notify the supplier from whom the customer bought the product ("the supplier") thereof within the warranty period or if applicable, the extended warranty period. Any claim in terms of this warranty must be supported by a proof of purchase. If proof of purchase is not available, then repair, and/or service charges may be payable by the customer to the supplier.
4. The faulty product must be taken to the supplier's service centre to exercise the warranty.
5. The supplier will refund, repair or exchange the product in terms of this warranty subject to legislative requirements. This warranty shall be valid only where the customer has not broken the product themselves, or used the product for something that it is not supposed to be used for. The warranty does not include and will not be construed to cover products damaged as a result of disaster, misuse, tamper, abuse or any unauthorised modification or repair of the product.
6. This warranty will extend only to the product provided at the date of the purchase and not to any expendables attached or installed by the customer.
7. If the customer requests that the supplier repairs the product and the product breaks or fails to work properly within 3 (three) months of the repair and not as a result of misuse, tampering or modification by or on behalf of the customer, then the supplier may replace the product or pay a refund to the customer, subject to the supplier's discretion.
8. The customer may be responsible for certain costs where products returned are not in the original packaging, or if the packaging is damaged. This will be deducted from any refund paid to the customer.

HOME OF LIVING BRANDS (PTY) LTD (JOHANNESBURG)

JOHANNESBURG
CAPE TOWN
DURBAN

TEL NO. (011) 490-9600
TEL NO. (021) 552-5161
TEL NO. (031) 303-1163

www.homeoflivingbrands.com
www.russellhobbs.co.za
www.facebook.com/RussellHobbsSA