



**PLEASE AFFIX YOUR PROOF OF PURCHASE/RECEIPT HERE.
IN THE EVENT OF A CLAIM UNDER WARRANTY, THIS RECEIPT MUST BE
PRODUCED.**

WARRANTY

Amalgamated Appliances (Pty) Limited ("the Supplier") warrants to the original purchaser of this product ("the Customer") that this product will be free of defects in material and workmanship which under normal, personal, family or household purpose manifest themselves within a period of 365 days from the date of purchase or in respect of commercial or professional purposes, manifest themselves within a period of 90 days from the date of purchase. Any claim in terms of the warranty must be supported by a proof of purchase. If such proof is not available, then notwithstanding anything to the contrary herein, the Supplier's normal charge for service and/or spares will be payable by the Customer upon collection of the repaired product. If a claim is made in terms of the aforesaid warranty within the first 7 days from the date of purchase, the faulty product will be exchanged (provided that the product is in its original packaging with all accessories). Failing return of the product within 7 days, the Supplier's liability shall be limited on return to the Supplier of the product or parts thereof, to the replacement or repair (in the sole discretion of the Supplier, or its duly authorised service dealer) of the product to eliminate any defect in workmanship or materials found to be due exclusively to any acts or omissions on the parts of the Suppliers, of which defects the Supplier shall have been notified in writing by the Customer within the aforesaid warranty period. The warranty provided herein and the obligations of the Supplier as aforesaid are in lieu of, and the Customer waives, all other warranties, guarantees, conditions or liabilities, express or implied, arising by law or otherwise, including without limitation, any obligation of the Supplier in respect of any injury, loss or damage (direct, indirect or consequential) arising out of the use of, or inability to use, this product and whether or not occasioned by the Supplier's negligence (gross or otherwise) or any act or omission on its part. The warranty does not include and will not be construed to cover products damaged as a result of disaster, misuse, abuse or any non-authorised modification of the product. The warranty does not include replacement of light bulbs, heater bars, paper bags or any glass, plastic bowl or jug or other expendables. During the warranty period the product should be taken to a service centre of the Supplier or one of its duly authorised service agents. The Supplier neither assumes nor authorises any other person to assume for it, any additional liability in connection with the sale or servicing of its products.

AMALGAMATED APPLIANCES (PTY) LTD.

**29, HERONMERE ROAD
BOOYSENS, JOHANNESBURG
2016**

**TEL NO. (011) 490 9000
FAX NO. (011) 490 9399**

**CAPE TOWN
DURBAN**

Win prizes on line: www.russellhobbs.co.za

**P O BOX 39186
BOOYSENS
JOHANNESBURG
2016**

**TEL NO. (021) 535-0600
TEL NO. (031) 792-6000**

439-029





changing the fitted/molded plug

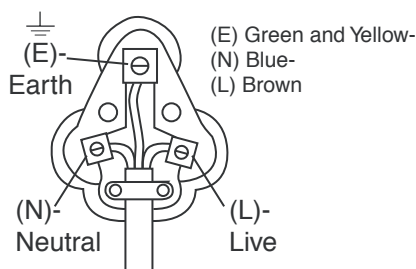
Should the need arise to change the fitted/molded plug, follow these instructions:

mains (AC) operation

This unit is designed to operate on 230V- 240V current only. Connecting to other power sources may damage the unit.

connect three-pin plug as follows:

The wires in this mains lead are coloured in accordance with the following code: Green/Yellow = Earth Blue = Neutral Brown = Live



service

There are no user serviceable parts in this appliance. If the appliance is not operating correctly, please check that:

1. You have followed the instructions correctly.
2. Is the plug or cord are not damaged in any way?
3. Are the mains power supply On.

If the appliance still does not work:

In the first instance, consult your retailer for possible repair or replacement. If your retailer fails to solve your problem and you need to return the appliance, make sure that:

1. The unit is packed carefully back into its original packaging.
2. Proof of purchase is attached.
3. Give the reason why you are returning it.

If the supply cord is damaged, it must be replaced by the manufacturer or its service agents in order to avoid a hazard. If service becomes necessary within the warranty period the appliance should be returned to an approved Amalgamated Appliances (Pty) Ltd service centre. Servicing outside the warranty period is still available, however it will be chargeable.





crumbs

- 26 Clean the crumbs out of your toaster frequently, to avoid a build up of crumbs. This is unhygienic and could cause a fire hazard.
- 27 Unplug the toaster and let it cool down. Remove and empty the crumb trays. Wipe them with a damp cloth, dry them, then replace them in the toaster.
- 28 Don't use the toaster unless both crumb trays are fitted and closed.

care and maintenance

- 1 Unplug the appliance when not in use, before moving and before cleaning. Let it cool down fully before cleaning and storing away.
- 2 Wipe outer surfaces with a damp cloth. If necessary, use a little washing-up liquid.
- 3 Don't let anything enter the slots, you might damage the elements.
- 4 Don't put the appliance in water or any other liquid.
- 5 Don't use harsh or abrasive cleaning agents or solvents.





toasting bread

- 3 Sit the toaster upright on a firm, level, heat-resistant surface.
- 4 Don't put it on or near anything that could be damaged even by moderate heat.
- 5 Bread may burn. Don't use the appliance near or below curtains or other combustible materials and watch it while it's hot.
- 6 Put the plug into the power socket.
- 7 Turn the browning control to the required setting (light ↶ to dark ↷).
- 8 The left bread carriage handle operates the left pair of slots, the right carriage handle operates all four slots (it pulls the left handle down at the same time).
- 9 Use the left pair of slots for one or two slices of toast. Use the right pair of slots for the third and fourth slices.
- 10 Put bread into the toasting slots (maximum thickness 25mm).
- 11 Press the bread carriage handle down fully – it won't lock down unless the toaster is connected to the electricity supply.
- 12 The elements will heat up.
- 13 When it's done, the toast will pop up and the elements will turn off.

eject

- 14 To stop toasting, press the ▲ button.
- 15 The toast will pop up, and the elements will turn off.

extra lift

- 16 After toasting small items (bagels, crumpets, etc.) the bread carriage handle may be raised further, to allow them to be removed more easily.

frozen bread

- 17 This feature takes the guesswork out of toasting frozen bread.
- 18 Leave the browning control at your favoured setting, insert the frozen bread, lower the bread carriage handle, then press the ❄️ button.
- 19 The light will come on, and the toasting time will be altered automatically to give the same degree of browning you get with unfrozen bread.

reheating toast

- 20 Use a low setting.
- 21 Only reheat plain, "unbuttered" toast.

hints and tips

- 22 When toasting more than one slice of bread, use slices of similar size, thickness and freshness.
- 23 Old (yesterday's) bread contains less moisture, so makes crisper toast.
- 24 Old or thin bread cooks faster than fresh or thick bread. Use a lower setting.
- 25 Sweet bread products (tea cakes, fruit loaf, etc.) brown much more quickly than ordinary bread, so should be toasted on a lighter setting.





Read the instructions and keep them safe.

If you pass the appliance on, pass on the instructions too.

Remove all packaging, but keep it till you know the appliance works.

important safeguards

Follow basic safety precautions, including:

- 1 This appliance must only be used by or under the supervision of a responsible adult.
- 2 Don't put the appliance in liquid, don't use it in a bathroom, near water, or outdoors.
- 3 Sit the toaster upright on a firm, level, heat-resistant surface.
- 4 Don't put it on or near anything that could be damaged even by moderate heat.
- 5 Bread may burn. Don't use the appliance near or below curtains or other combustible materials and watch it while it's hot.
- 6 The area round the toasting slots gets very hot – don't touch!
- 7 Route the cable so it doesn't overhang, and can't be tripped over or caught.
- 8 If you are not using all the slots, don't let anything get into the empty slots, as the central elements are live when the left bread carriage handle is lowered.
- 9 Don't let the toasting slots become covered during toasting, or while hot.
- 10 Don't cover the appliance or put anything on top of it.
- 11 If bread gets jammed, unplug the toaster, let it cool, and carefully remove the bread. Don't use anything sharp, you'll damage the elements.
- 12 Don't toast "buttered" items, they may catch fire.
- 13 Don't use torn, curled, or misshapen bread, you may jam the toaster.
- 14 Unplug the appliance when not in use, before moving and before cleaning. Let it cool down fully before cleaning and storing away.
- 15 Clean the crumbs out of your toaster frequently, to avoid a build up of crumbs. This is unhygienic and could cause a fire hazard.
- 16 Don't use the toaster unless both crumb trays are fitted and closed.
- 17 Keep the appliance and the cable away from hotplates, hobs or burners.
- 18 Don't use the appliance for any purpose other than those described in these instructions.
- 19 This appliance must not be operated by an external timer or remote control system.
- 20 Don't operate the appliance if it's damaged or malfunctions.
- 21 If the cable is damaged, it must be replaced by the manufacturer, its service agent, or someone similarly qualified, in order to avoid hazard.



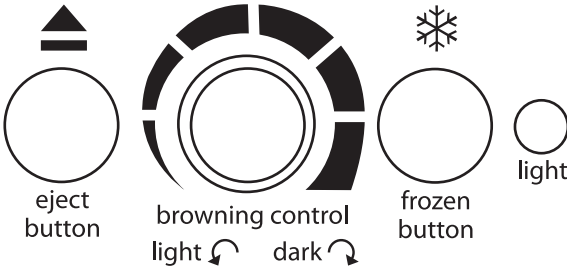
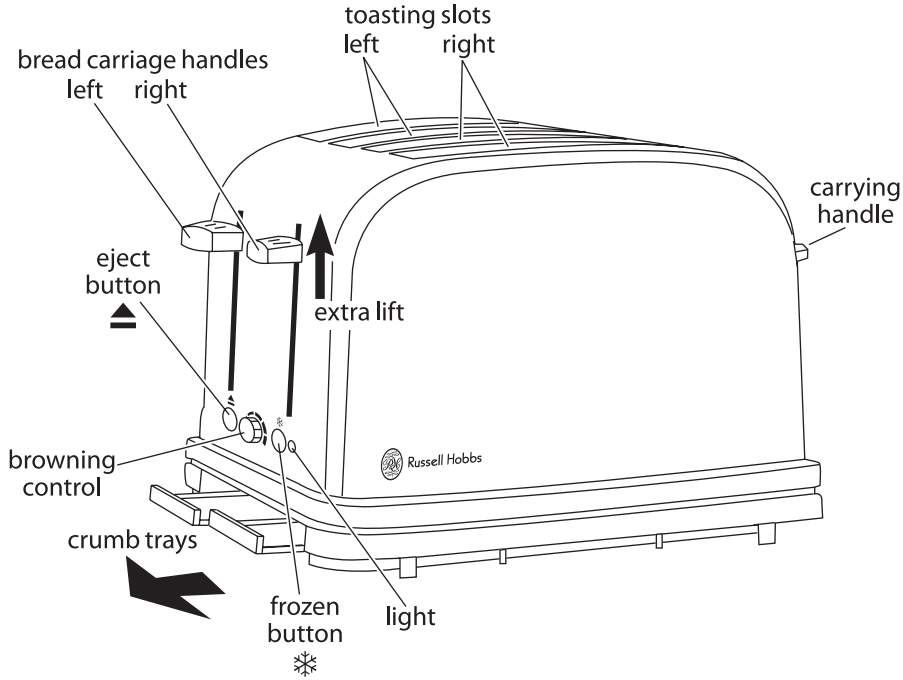
household use only

before using for the first time

- 1 Turn the browning control fully clockwise.
- 2 Operate the appliance empty, to cure the new elements. This may smell a bit, but it's nothing to worry about. Ensure the room is well ventilated.



instructions





Russell Hobbs

Smart in the kitchen...



toaster